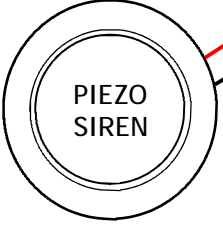
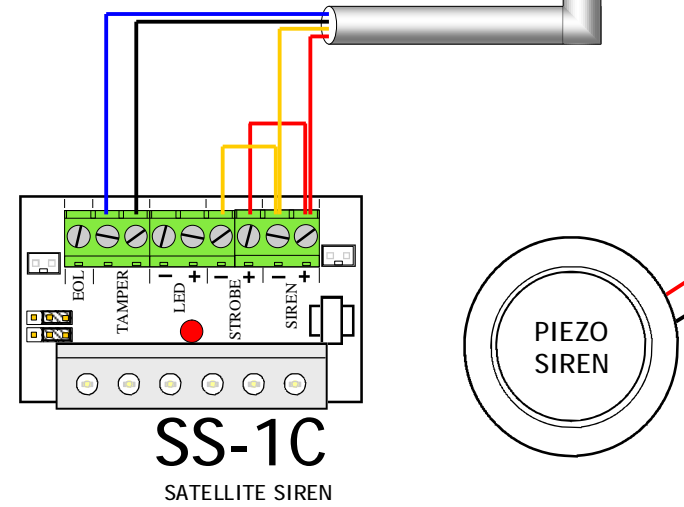
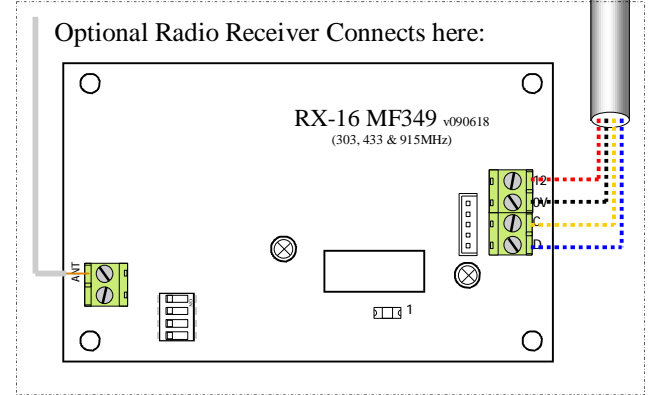
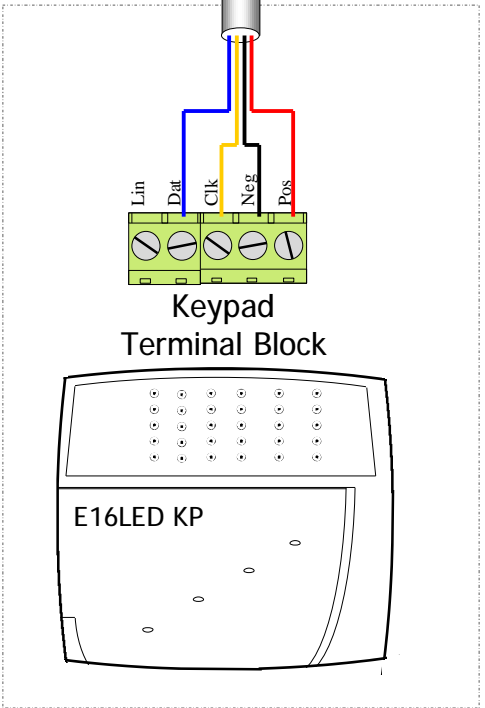
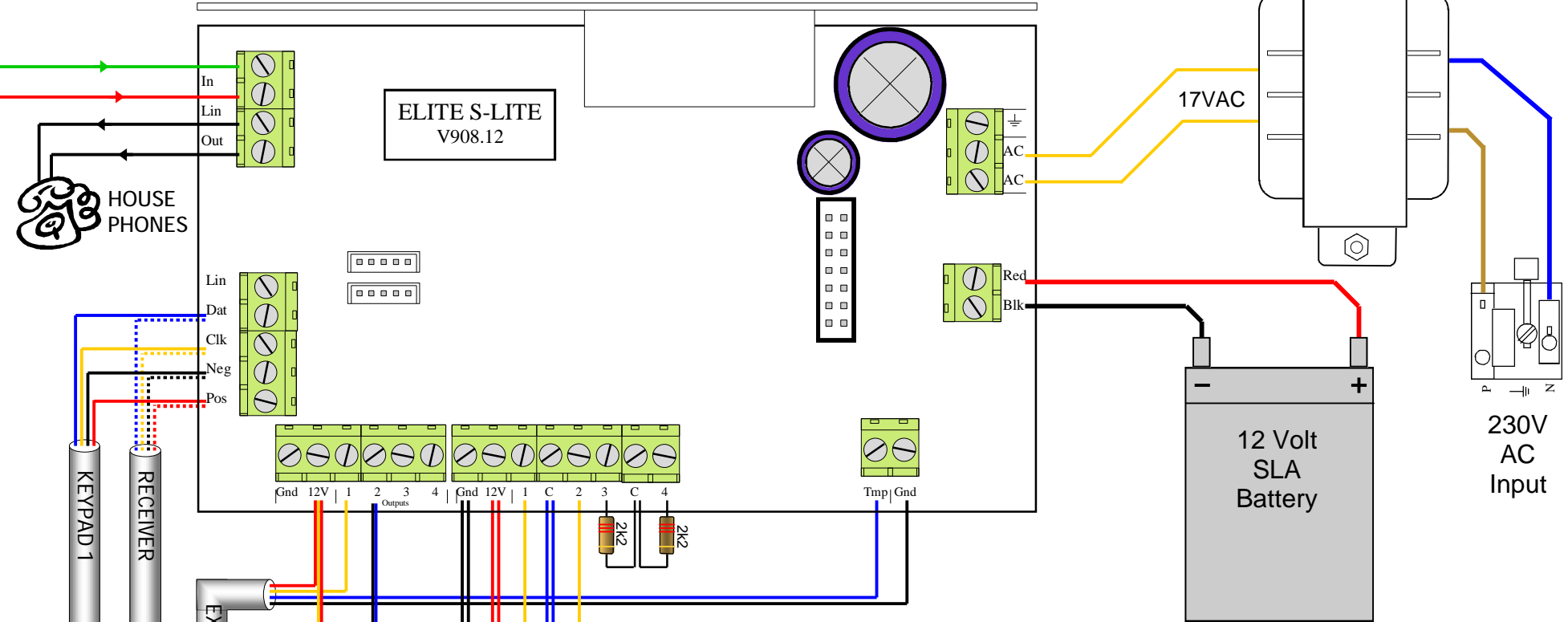
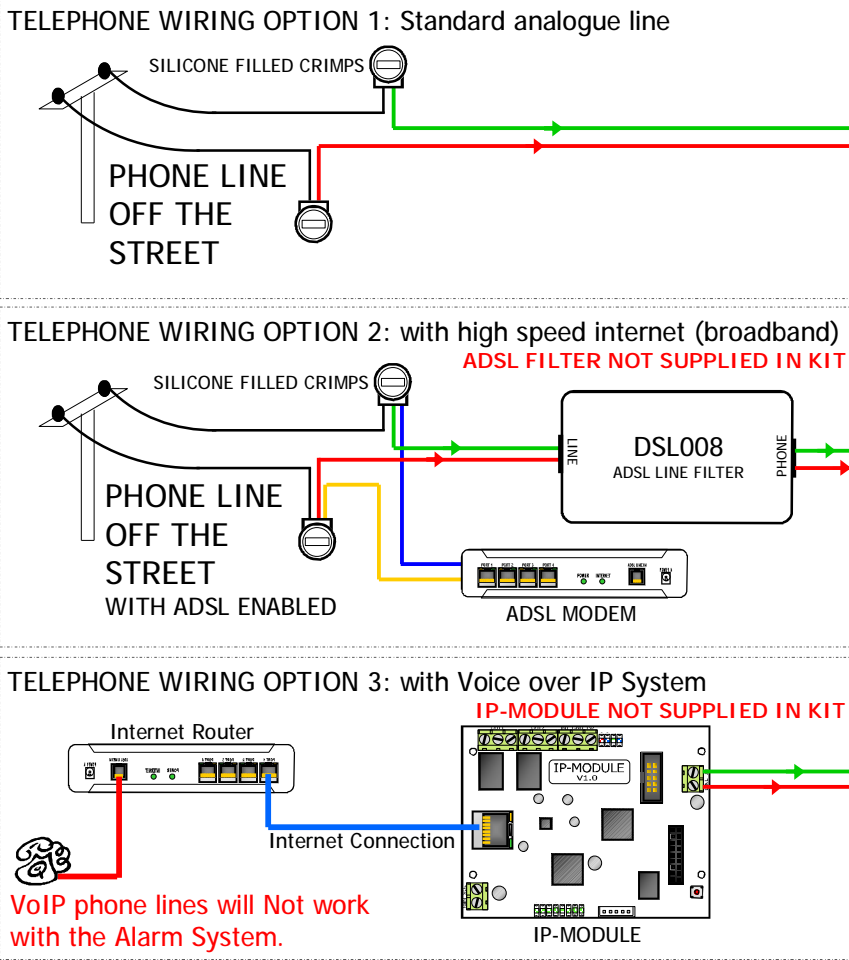


ESL CONNECTION DIAGRAM



RESISTOR COLOUR CODES:
 2K2 = RED, RED, RED, GOLD.
 4K7 = YELLOW, VIOLET, RED, GOLD.
 8K2 = GREY, RED, RED, GOLD.